

FEATURES

- ✘ Compact-sized 4.8x4.8mm
- ✘ Low profile of 0.55mm height
- ✘ Long operating life

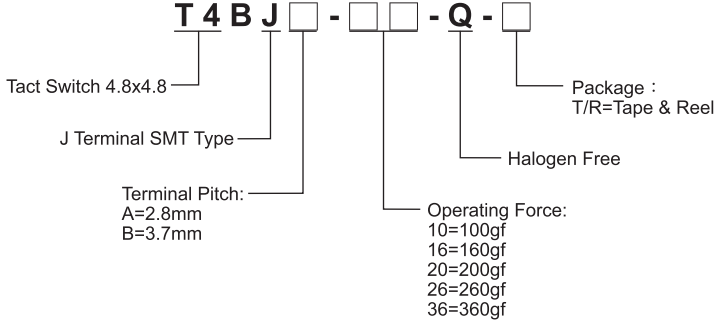
APPLICATION

- ✘ Smart Phone
- ✘ Digital Camera, Medical
- ✘ Portable Electronic Device

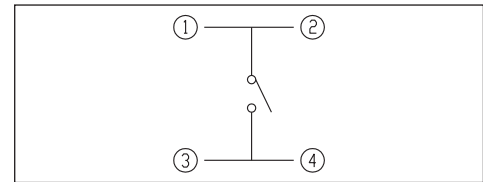
SPECIFICATION

Contact Rating	50mA, 12V DC
Contact Resistance	100mΩ max.
Insulation Resistance	100MΩ min. 100V DC
Dielectric Strength	100V AC/1 minute
Operating Force	100±50gf/160±50gf/200±50gf 260±50gf/360±60gf
Travel	0.2±0.1mm
Operating Life	200,000 cycles for 360gf 500,000 cycles for 260/200gf 1,000,000 cycles for 160/100gf
Operating Temp.	-30°C ~ +80°C
Storage Temp.	-40°C ~ +85°C

HOW TO ORDER



CIRCUIT

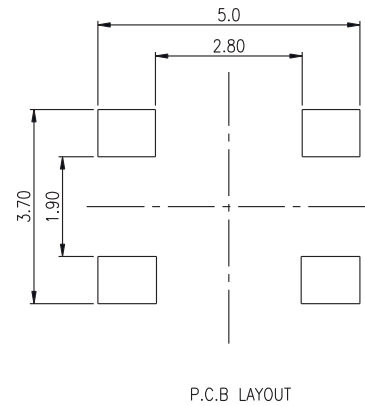
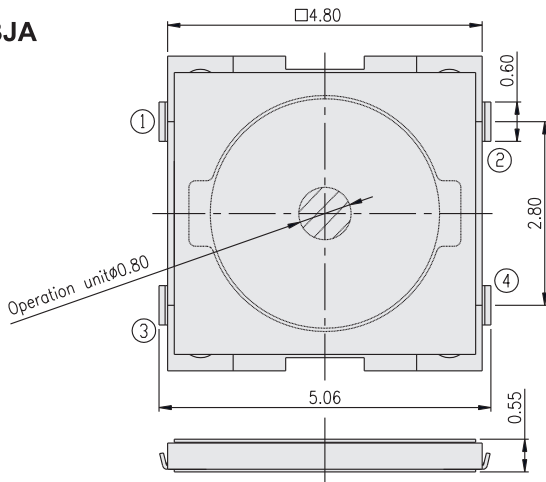


PACKAGE

<Tape & Reel>
8000 pcs

TACT SWITCH

T4BJA



T4BJB

